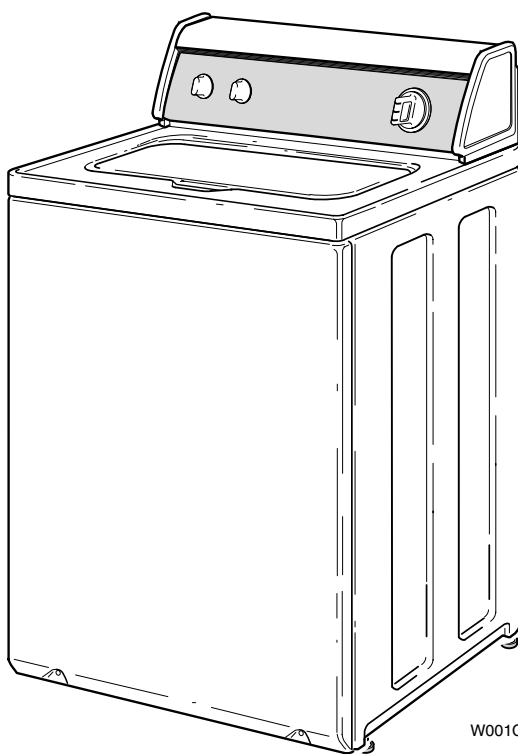


# Automatic Washers

CE

**NOTE: This manual is only a supplement. Refer to installation/operation manual for full instructions.**



W001C

**Keep These Instructions for Future Reference.**

(If this machine changes ownership, this manual must accompany machine.)

  
**Alliance**  
Laundry Systems

[www.comlaundry.com](http://www.comlaundry.com)

Part No. 201071  
October 2002

— Installation/Operation Supplement —





**WARNING**

**For your safety and to reduce the risk of fire or an explosion, do not store or use gasoline or other flammable vapors and liquids in the vicinity of this or any other appliance.**

W022E

**IMPORTANT: Read the complete INSTALLATION/OPERATION INSTRUCTIONS before using the washer.**



# Table of Contents


- Important Safety Instructions** ..... 5
- Installation**..... 7
- Dimensions and Specifications..... 7
- Installing the Washer ..... 8
  - Step 1: Remove the Shipping Brace and Shipping Plug..... 8
  - Step 2: Wipe Out Inside of Washtub ..... 8
  - Step 3: Connect Water Inlet Hoses ..... 8
  - Step 4: Connect Drain Hose to Drain Receptacle ..... 9
  - Step 5: Position and Level the Washer ..... 11
  - Step 6: Plug In the Washer..... 11
  - Step 7: Add Water to the Washer ..... 11
  - Step 8: Check Lid Switch ..... 11
  - Step 9: Check Installation ..... 11
- Electrical Requirements..... 12
  - Earthing Instructions..... 12
- Water Supply Requirements ..... 13
- Operation**..... 15
- Operation Instructions ..... 15
  - Step 1: Add Detergent..... 15
  - Step 2: Load Laundry..... 15
  - Step 3: Close Lid..... 15
  - Step 4: Set Water Level Selector ..... 15
  - Step 5: Set Wash/Rinse Temperature Selector ..... 15
  - Step 6: Set Timer to Proper Setting ..... 16
  - Step 7: Start Washer..... 16
- Maintenance** ..... 17
  - Reinstallation of Shipping Materials ..... 17

© Copyright 2002, Alliance Laundry Systems LLC  
 All rights reserved. No part of the contents of this book may be reproduced or transmitted in any form or by any means without the expressed written consent of the publisher.



# Important Safety Instructions

(Save These Instructions)

	<b>WARNING</b>
<p><b>To reduce the risk of fire, electric shock, serious injury or death to persons when using your washer, follow these basic precautions:</b></p>	
W023	

1. Read all instructions before using the washer.
2. Refer to the EARTHING INSTRUCTIONS in the INSTALLATION manual for the proper earthing of the washer.
3. Do not wash articles that have been previously cleaned in, washed in, soaked in, or spotted with gasoline, dry-cleaning solvents, other flammable or explosive substances as they give off vapors that could ignite or explode.
4. Do not add gasoline, dry-cleaning solvents, or other flammable or explosive substances to the wash water. These substances give off vapors that could ignite or explode.
5. Under certain conditions, hydrogen gas may be produced in a hot water system that has not been used for two weeks or more. **HYDROGEN GAS IS EXPLOSIVE.** If the hot water system has not been used for such a period, before using a washing machine or combination washer-dryer, turn on all hot water faucets and let the water flow from each for several minutes. This will release any accumulated hydrogen gas. **THE GAS IS FLAMMABLE, DO NOT SMOKE OR USE AN OPEN FLAME DURING THIS TIME.**
6. Do not allow children to play on or in the washer. Close supervision of children is necessary when the washer is used near children. This is a safety rule for all appliances.
7. Before the washer is removed from service or discarded, remove the lid to the washing compartment.
8. Do not reach into the washer if the washtub or agitator is moving.
9. Do not install or store the washer where it will be exposed to water and/or weather.
10. Do not tamper with the controls.
11. Do not repair or replace any part of the washer, or attempt any servicing unless specifically recommended in the user-maintenance instructions or in published user-repair instructions that you understand and have the skills to carry out.
12. To reduce the risk of an electric shock or fire, **DO NOT** use an extension cord or an adapter to connect the washer to the electrical power source.
13. Use your washer only for its intended purpose, washing clothes.
14. **ALWAYS** disconnect the washer from electrical supply before attempting any service. Disconnect the power cord by grasping the plug, not the cord.
15. Install the washer according to the **INSTALLATION INSTRUCTIONS.** All connections for water, drain, electrical power and earthing must comply with local codes and be made by licensed personnel when required. Do not do it yourself unless you know how!
16. To reduce the risk of fire, clothes which have traces of any flammable substances such as vegetable oil, cooking oil, machine oil, flammable chemicals, thinner, etc. or chemicals such as in mops and cleaning cloths, must not be put into the washer. These flammable substances may cause the fabric to catch on fire by itself.
17. Do not use fabric softeners or products to eliminate static unless recommended by the manufacturer of the fabric softener or product.
18. Keep your washer in good condition. Bumping or dropping the washer can damage safety features. If this occurs, have your washer checked by a qualified serviceman.
19. If the supply cord is damaged, it must be replaced by a special cord or assembly available from the manufacturer or its service agent.
20. Be sure water connections have a shut-off valve and that fill hose connections are tight. **CLOSE** the shut-off valves at the end of each wash day.

## Installation/Operation Supplement

21. Loading door **MUST BE CLOSED** any time the washer is to agitate or spin. **DO NOT** bypass the loading door switch by permitting the washer to agitate or spin with the loading door open. A brake will stop the washtub within seconds if the loading door is opened during spinning. If the washtub does not stop when the loading door is opened, remove the washer from use and call the service person.
22. Always read and follow manufacturer's instructions on packages of laundry and cleaning aids. Heed all warnings or precautions. To reduce the risk of poisoning or chemical burns, keep them out of the reach of children at all times (preferably in a locked cabinet).
23. Always follow the fabric care instructions supplied by the garment manufacturer.
24. Never operate the washer with any guards and/or panels removed.
25. **DO NOT** operate the washer with missing or broken parts.
26. **DO NOT** bypass any safety devices.
27. Failure to install, maintain, and/or operate this machine according to the manufacturer's instructions may result in conditions which can produce bodily injury and/or property damage.

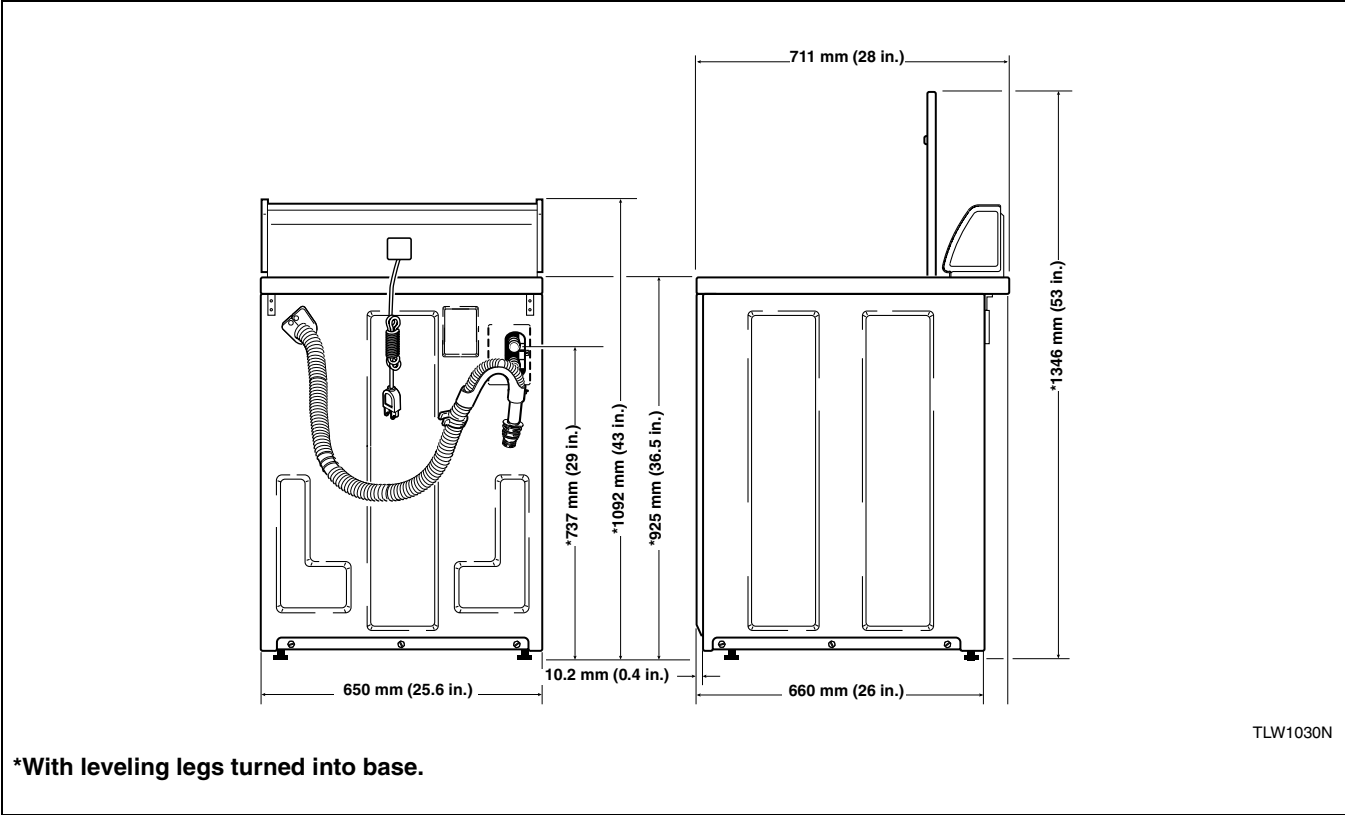
**NOTE: The WARNING and IMPORTANT SAFETY INSTRUCTIONS appearing in this manual are not meant to cover all possible conditions and situations that may occur. Common sense, caution and care must be exercised when installing, maintaining, or operating the washer.**

Always contact your dealer, distributor, service agent or the manufacturer about any problems or conditions you do not understand.



# Installation

## Dimensions and Specifications



\*With leveling legs turned into base.

TLW1030N

## Installing the Washer

**NOTE:** This manual is only a supplement. Refer to installation/operation manual for full instructions.

### Step 1: Remove the Shipping Brace and Shipping Plug

**IMPORTANT:** The shipping brace and plug should be saved and must be reinstalled whenever washer is moved or transported to a new location.

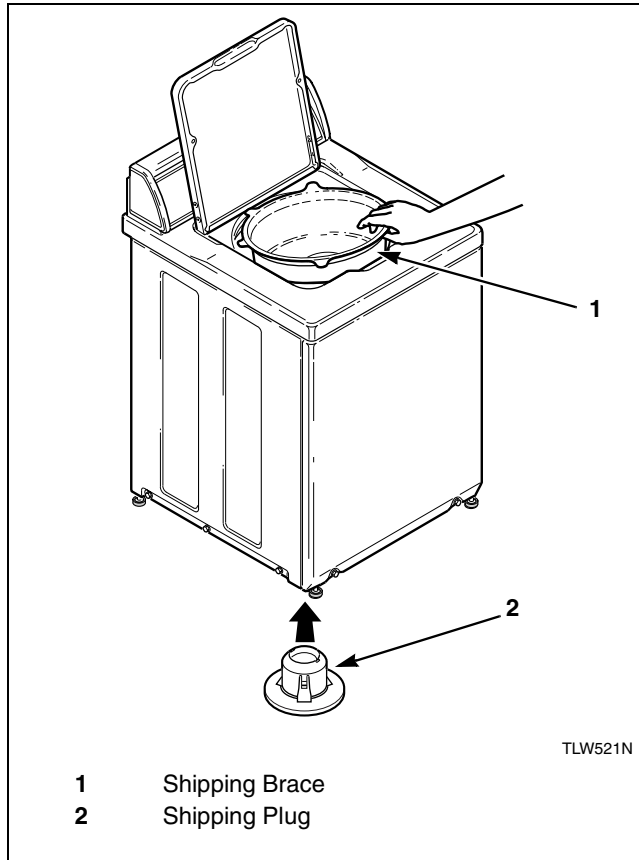


Figure 1

### Step 2: Wipe Out Inside of Washtub

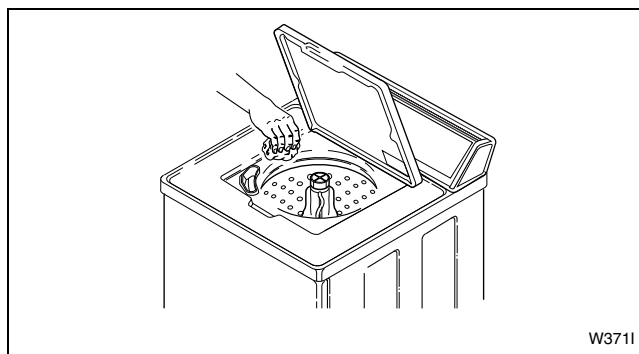


Figure 2

### Step 3: Connect Water Inlet Hoses

#### Hoses Without Metric Coupling

Insert rubber washers in water inlet hose couplings. Connect inlet hoses to water supply faucets. Turn on the water supply faucets and flush the lines. Connect hoses to the hot and cold valve connections at rear of washer.

#### Hoses With Metric Coupling

Connect the **BLACK** colored hose coupling end of the inlet hoses (with filter washers) to the water supply faucets. Connect the **BRASS** colored hose coupling end of hoses (with rubber washers) to the hot and cold water mixing valve connection at rear of washer.

**IMPORTANT:** DO NOT cross thread or overtighten couplings.

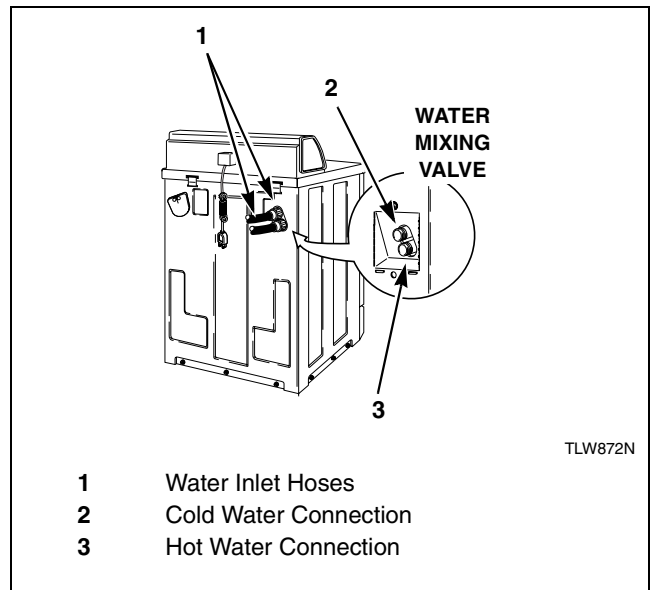


Figure 3

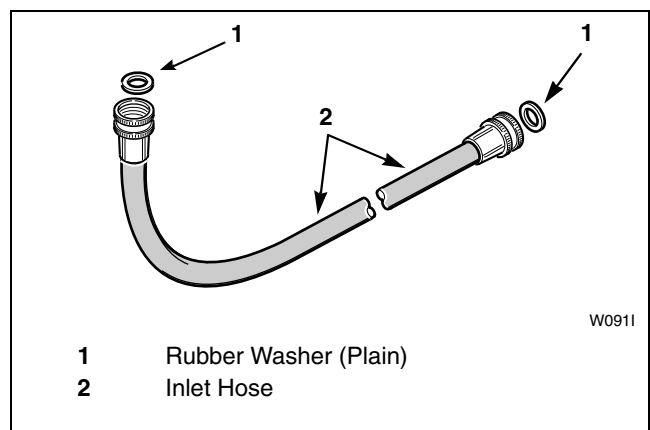


Figure 4

**Step 4: Connect Drain Hose to Drain Receptacle**

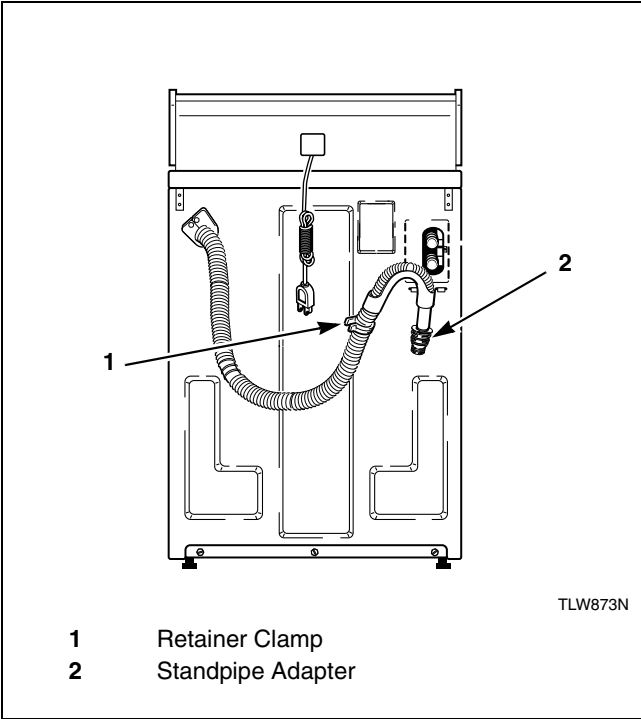


Figure 5

**IMPORTANT: Drain receptacle must be capable of handling a minimum of 3.2 cm (1-1/4 inch) outside diameter drain hose.**

*Standpipe Installation*

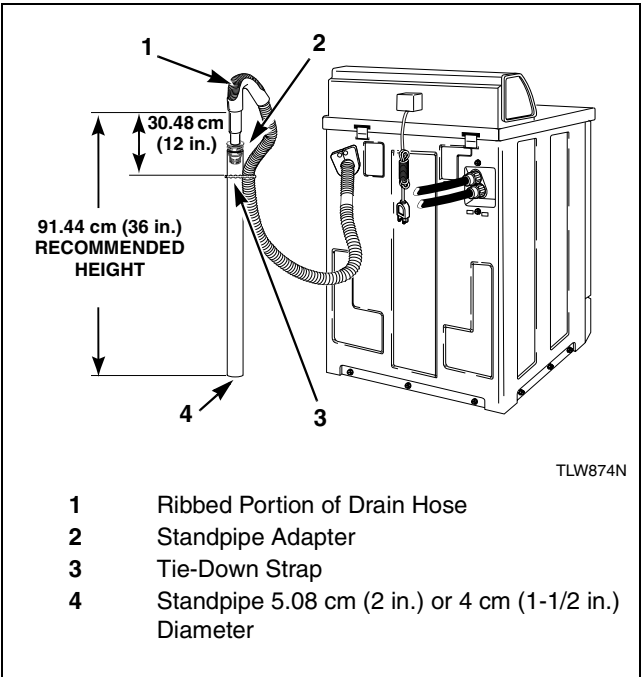


Figure 6

*High Standpipe Installation*

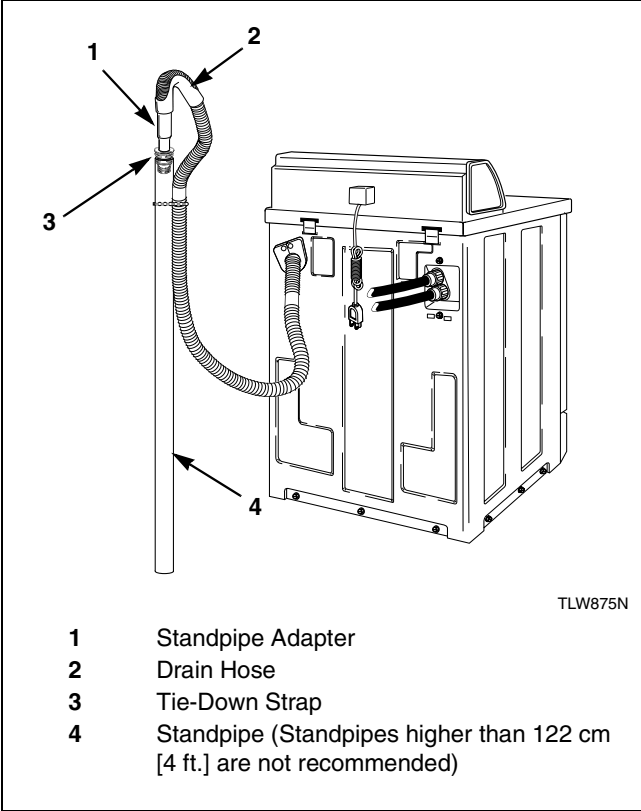


Figure 7

*Low Standpipe Installation*

**NOTE: No. 562P3 Siphon Break Kit is required for this type of installation (available at extra cost).**

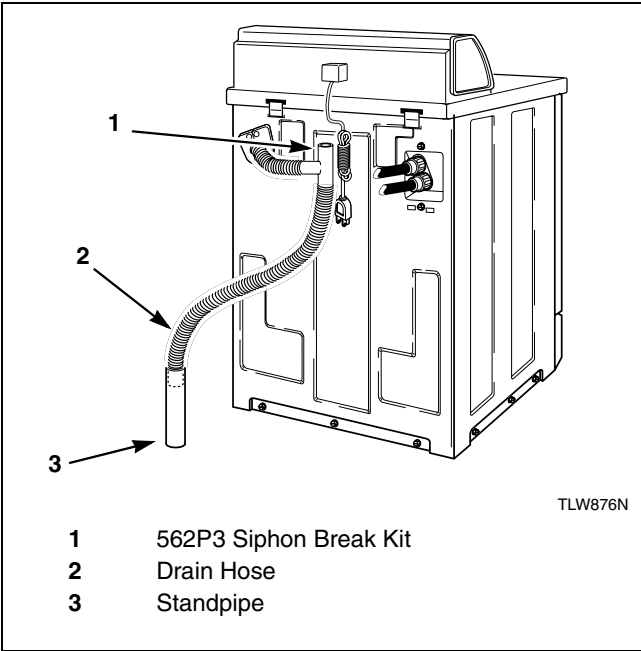


Figure 8

# Installation/Operation Supplement

## Sink Installation

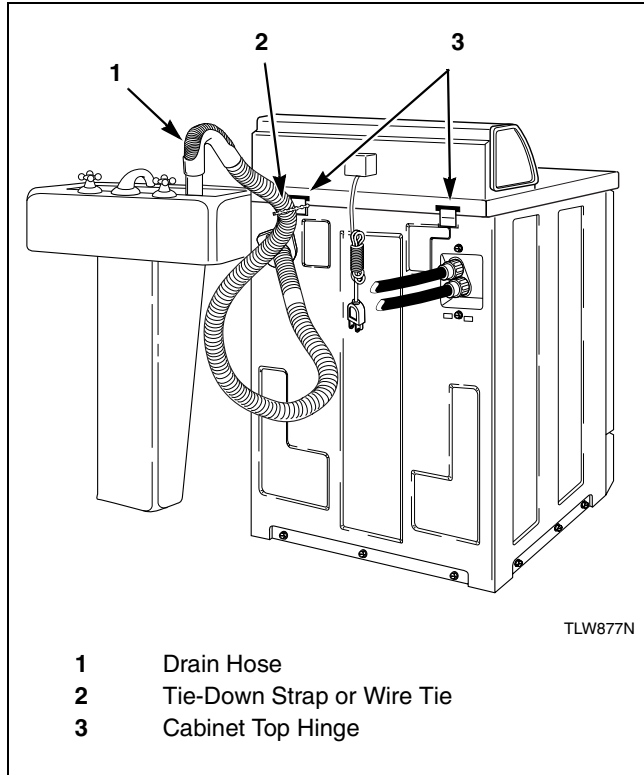


Figure 9

## Laundry Tub Installation

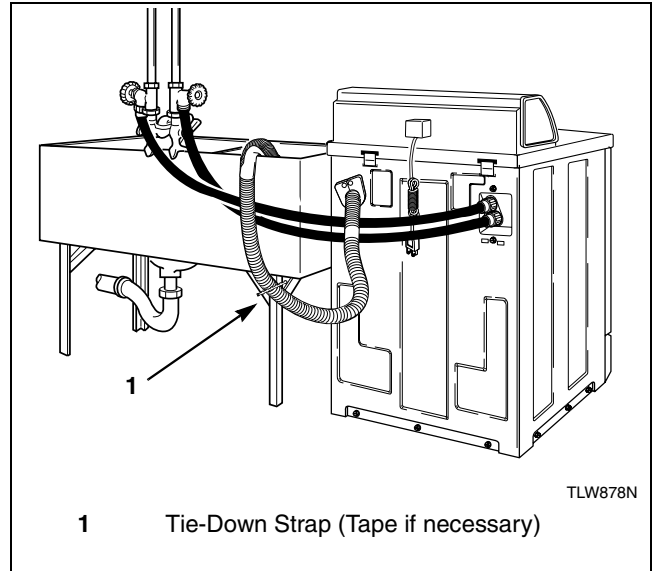


Figure 11

## In-the-Wall Installation

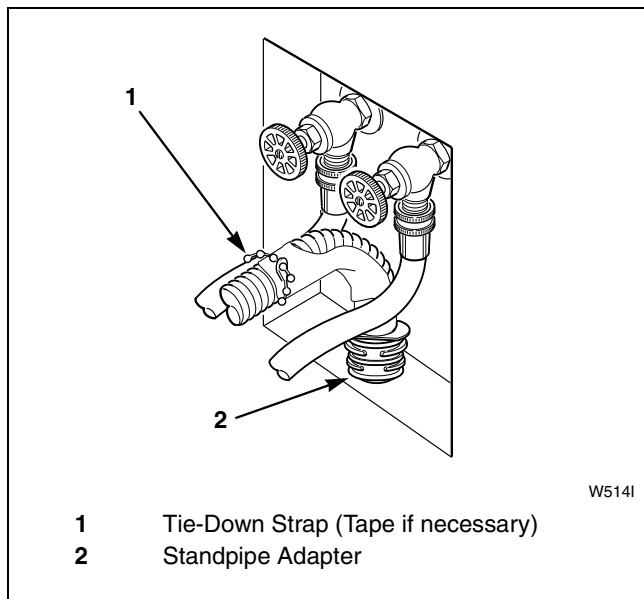


Figure 10

**Step 5: Position and Level the Washer**

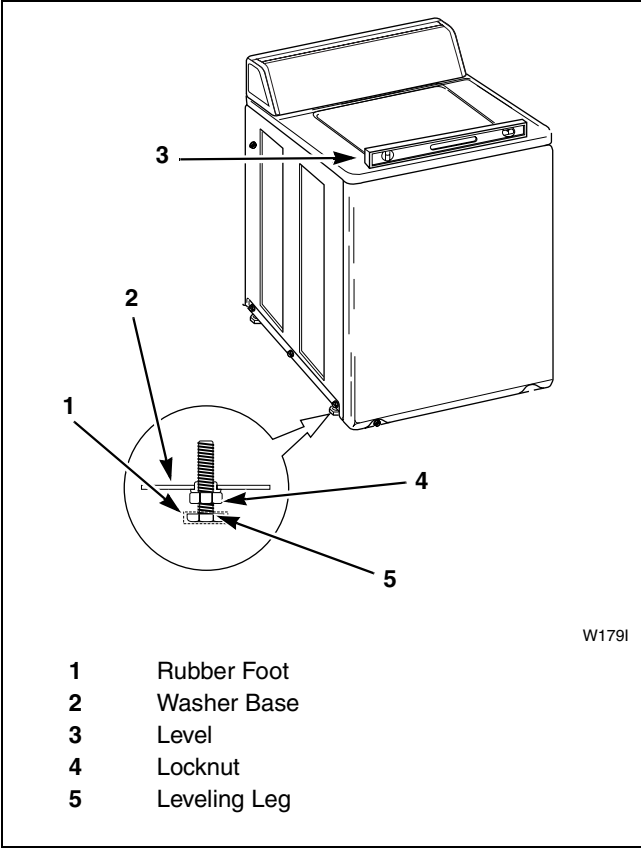


Figure 12

**Step 6: Plug In the Washer**

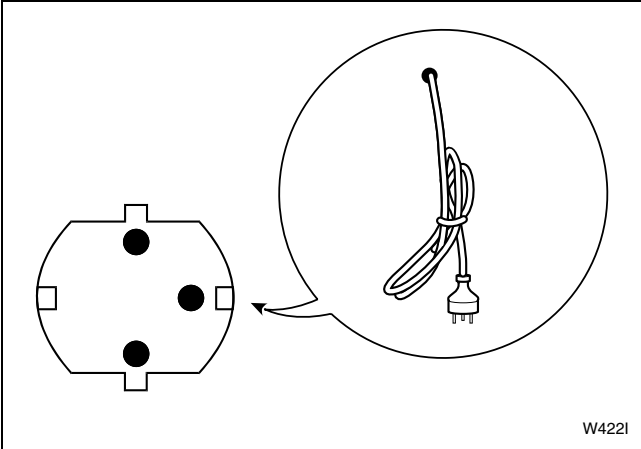


Figure 13

**Step 7: Add Water to the Washer**

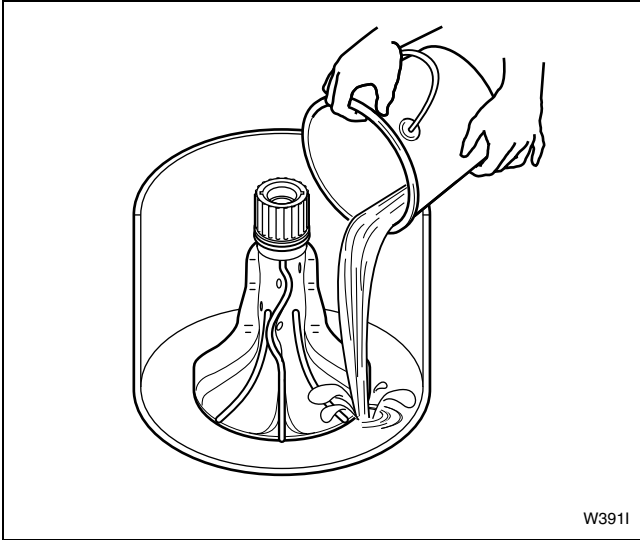


Figure 14

**Step 8: Check Lid Switch**

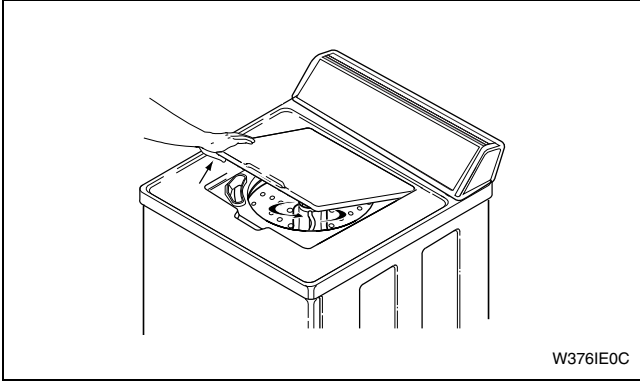



Figure 15


**Step 9: Check Installation**

## Electrical Requirements

230 Volt/50 Hertz

**NOTE: This manual is only a supplement. Refer to installation/operation manual for full instructions.**


	<b>WARNING</b>
<p>To reduce the risk of fire, electric shock, serious injury or death, all wiring and grounding <b>MUST</b> abide with local electrical codes. It is the customer's responsibility to have the wiring and fuses checked by a qualified electrician to make sure the laundry room has adequate electrical power to operate the washer.</p>	
<small>W244</small>	

	<b>WARNING</b>
<p>To reduce the risk of electric shock or fire, <b>DO NOT</b> use an extension cord or an adapter to connect the washer to the electrical power source.</p>	
<small>W031</small>	


The washer is designed to be operated on a separate polarized three-wire, earthed 230 Volt, 50 Hertz, single-phase electrical circuit and must abide by local electrical codes.

## Earthing Instructions

The washer must be earthed. In the event of malfunction or breakdown, earthing will reduce the risk of electric shock by providing a path of least resistance for electric current. The washer is equipped with a cord having an equipment-earthing conductor and a three-prong earthing plug. The plug must be plugged into an appropriate outlet that is properly installed and earthed in accordance with all local codes and ordinances.

	<b>WARNING</b>
<p>Improper connection of the equipment-earthing conductor can result in a risk of electric shock. Check with a qualified electrician or service person if you are in doubt as to whether the washer is properly earthed.</p>	
<small>W032</small>	


Do not modify the plug provided with the washer – if it will not fit the outlet, have a proper outlet installed by a qualified electrician.

	<b>WARNING</b>
<p>Any disassembly requiring the use of tools must be performed by a suitably qualified service person.</p>	
<small>W299</small>	

**NOTE: Electrical receptacle must be located so that it is easily accessible with machine in place. If machine is hard wired, an intermediate shut-off box with a 3 mm gap is required (335-1 [22.2] [24.3]).**

### Water Supply Requirements

NOTE: This manual is only a supplement. Refer to installation/operation manual for full instructions.

	<b>WARNING</b>
<p>Under certain conditions, hydrogen gas may be produced in a hot water system that has not been used for two weeks or more. <b>HYDROGEN GAS IS EXPLOSIVE.</b> If the hot water system has not been used for such a period and before using the washer, turn on all hot water faucets and let the water flow from each for several minutes. This will release any accumulated hydrogen gas. The gas is flammable. Do not smoke or use an open flame during this time.</p>	
W029	

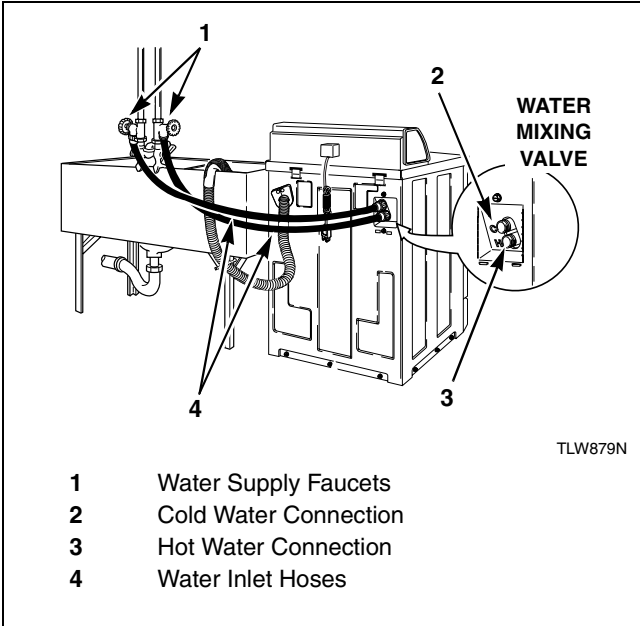


Figure 16

Washer needs two standard 19.1 mm (3/4 inch) water supply faucets with a pressure between 1.4 and 8.3 bar (20-120 pounds per square inch).





# Operation

## Operation Instructions

**NOTE:** This manual is only a supplement. Refer to installation/operation manual for full instructions.

### Step 1: Add Detergent

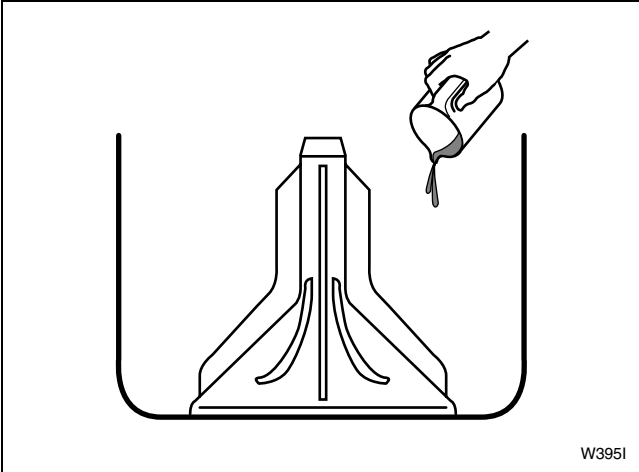


Figure 17

### Step 2: Load Laundry

Load dry clothes loosely into washtub – DO NOT overload! (7 kg maximum dry clothes load.)

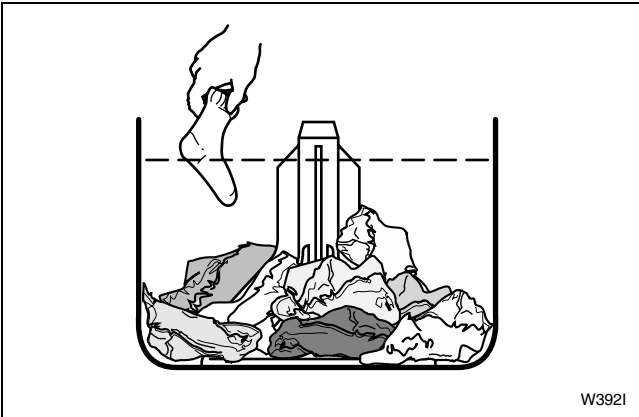


Figure 18

### Step 3: Close Lid

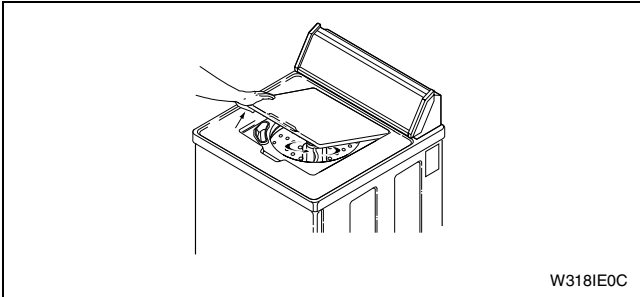


Figure 19

### Step 4: Set Water Level Selector

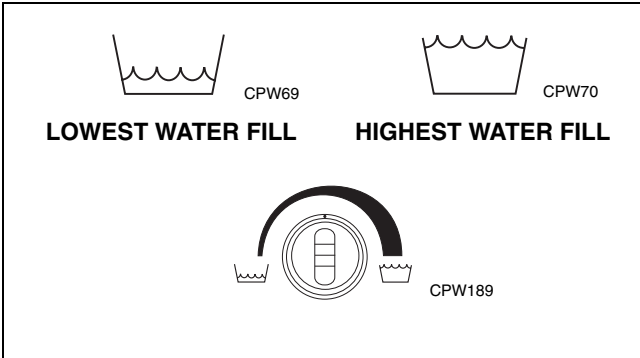


Figure 20

### Step 5: Set Wash/Rinse Temperature Selector

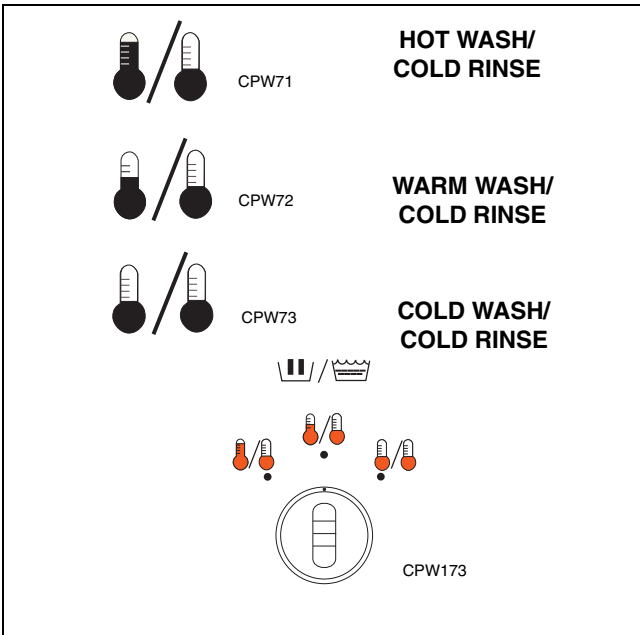


Figure 21

**Step 6: Set Timer to Proper Setting**

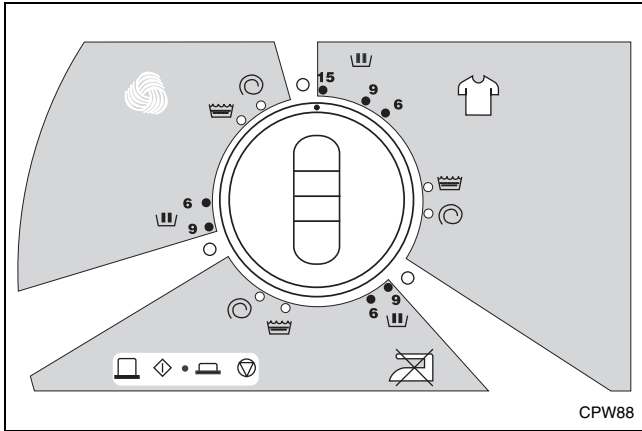


Figure 22

**Step 7: Start Washer**

Pull the timer knob to start water fill. Agitation will begin when the water level reaches the level selected.

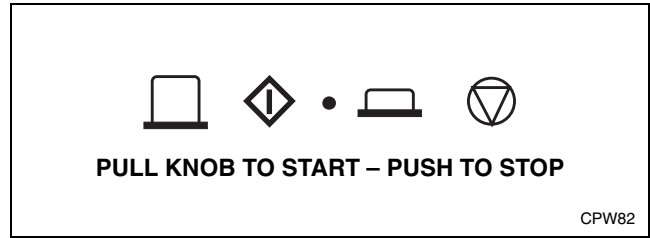


Figure 24

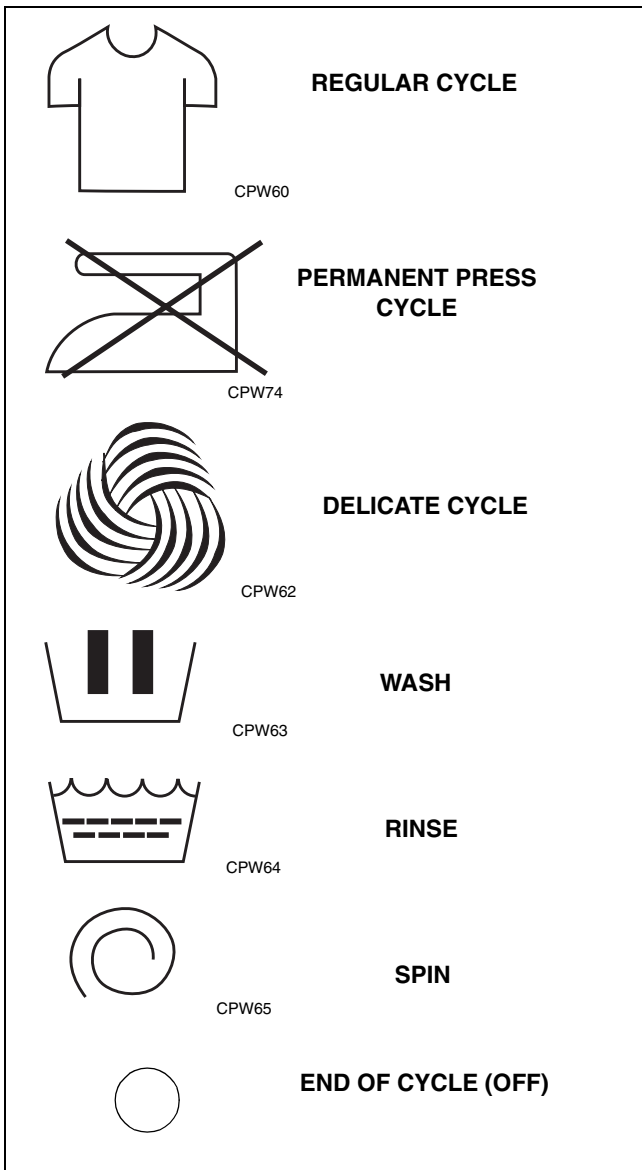


Figure 23

# Maintenance

**NOTE: This manual is only a supplement. Refer to installation/operation manual for full instructions.**

## Reinstallation of Shipping Materials

### Shipping Brace

Open the washer lid and place the brace over the washer agitator, placing the back of the brace into the lid opening first.

### Shipping Plug

The plug fits into two openings: the base opening and the shipping plug opening on the bottom of the movable pivot dome. The plug **MUST** be inserted into both openings to prevent damage to the washer. Refer to *Figure 25*.

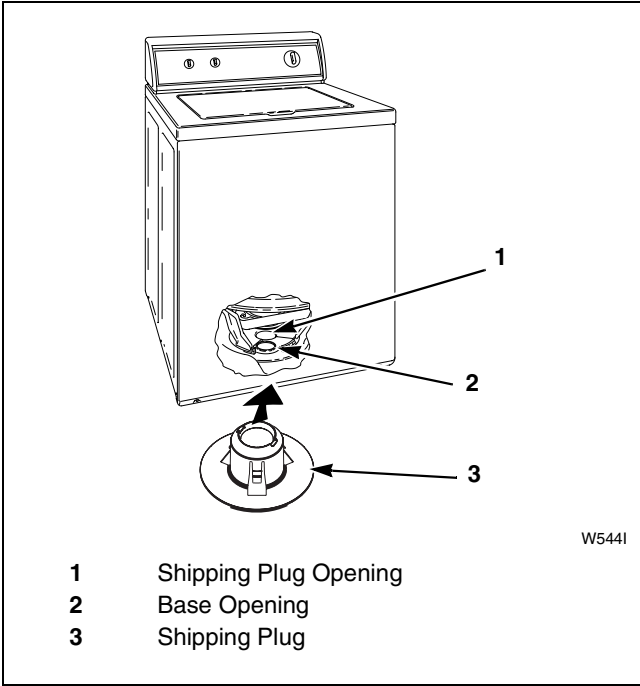


Figure 25

