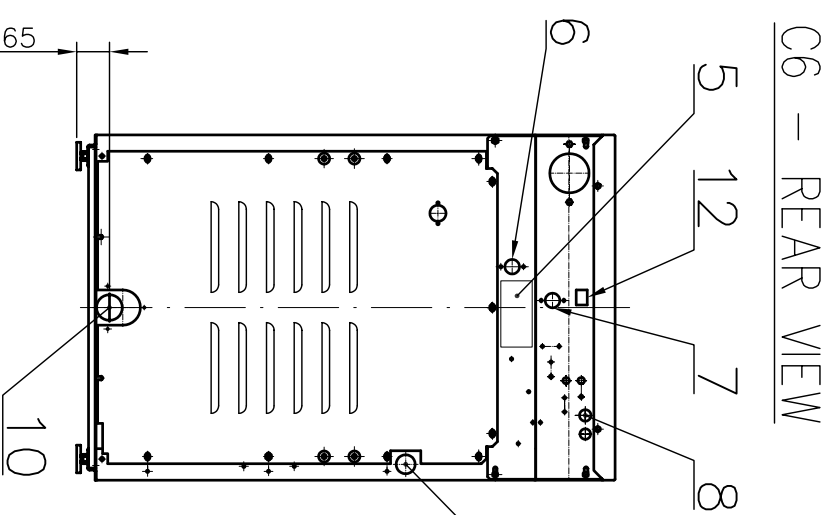
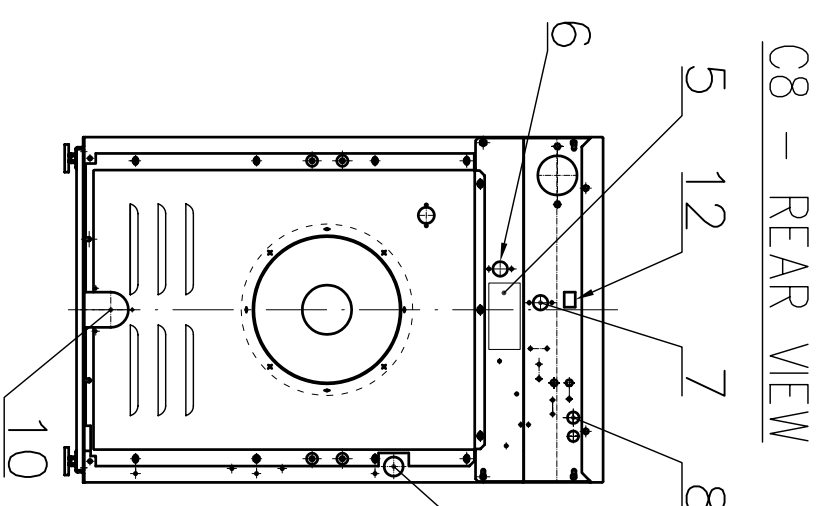


C6 – LAYOUT



C6 – REAR VIEW



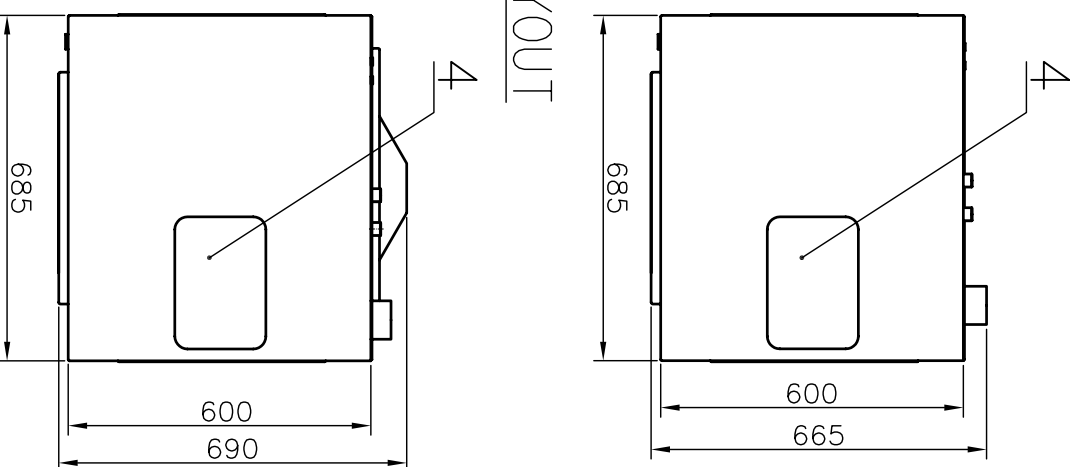
C8 – REAR VIEW

**LEGEND:**

1. Electrical switch
2. Coin device
3. EC – microprocessor
4. Soap hopper
5. Serial plate
6. Connection of cold water
7. Connection of hot water
8. Machine electrical connection
9. Drain of the version with drain pump
10. Drain of the version with drain valve
11. Adjustable leg
12. "Program/run" mode push button

**TECHNICAL SPECIFICATION**

	C6	C8
Type:		
Capacity: load ratio 1:10	6 kg / 13 lb	7 kg / 15 lb
Inner drum dimensions – diameter – depth	530 mm / 21"	530 mm / 21"
	270 mm / 10.6"	330 mm / 13"
Drum volume	60 dm <sup>3</sup> / 15.8 gal	73 dm <sup>3</sup> / 19.3 gal
	42 rpm 1150 rpm	42 rpm 1100 rpm
Drum revolutions – wash – high extraction		
G-factor:	390	360
Machine dimensions (max.) – width – depth – height	685 mm / 27"	685 mm / 27"
	665 mm / 26.18"	690 mm / 27.16"
Weight – netto – brutto	1070 mm / 42.1"	1070 mm / 42.1"
	170 kg / 375 lb 180 kg / 397 lb	170 kg / 375 lb 185 kg / 408 lb
Machine electrical system:	3+N+PE ~50Hz 400/230V / TN-S	
Rated motor power:	0.5 kW	0.5 kW
Rated heating power input:	6 kW	6 kW
Rated input power of the machine:	6.5 kW	6.5 kW
Power supply protection:	6kW/3AC 400V/16A	6kW/3AC 400V/16A
Motor overloading protection:	frequency converter protection	
Conductors section:	5x2,5 mm <sup>2</sup> Cu	5x2,5 mm <sup>2</sup> Cu
Water connection – water pressure – water connection	0.2:0.6MPa / 29:87 psi	0.2:0.6MPa / 29:87 psi
	2x 3/4"	2x 3/4"
Drain connection – drain valve (external diameter) – via drain pump (internal hose diameter)	Ø51 mm / Ø2"	Ø51 mm / Ø2"
	Ø33.5 mm / 1.32"	Ø33.5 mm / 1.32"
Max. static load (with textile and water)	184 kg / 406 lb	198 kg / 437 lb
Anchoring the machine	free locating in horizontal level	



C8 – LAYOUT

**FASTENING THE MACHINE**  
The machine must be located on a leveled floor which complies static stress of the machine. Check the position of machine top by a water level and adjust machine leg.

If the machine is located on a higher base for better operation, the front legs of the machine should be locked for safety reasons.

**WATER CONNECTION:**  
The washer is equipped with 3/4" valves for watering of cold and warm (70°C maximum) water. The all valves have to be connected for right function of washer. The filling valves (3/4") are part of machine. The pressure hoses with seal are part of delivery. Stop valves (3/4") have to be on supply line.

**WATER DRAIN CONNECTION:**  
The machine is equipped with drain valve or optional with pump.  
– for the machine equipped with drain valve: connect the drain valve by means of included clamp. The main drain pipe must have the capacity to be able to handle the total output of all connected machines  
– for the machine equipped with drain pump: connect the end of the drain hose to a siphon or via a wash – basin / sink. The hose must be laid out without kinks. The end of the hose must be not higher than 100 cm (39") above floor level

Put the stench trap in drain pipe.  
The maximum temperature of waste water from washer is 70±80°C (for programm No.1 – hot washing).  
Quantity of draining water: 6kg washer – 32 l/min, 7kg washer – 42 l/min.

<b>primus</b>	<b>C6</b>		<b>C8</b>	<b>WASHER EXTRACTOR</b>	
	Datum:	16.7.2007		No.	01-140-2.1
	Autor:	RJ	Index/datum		