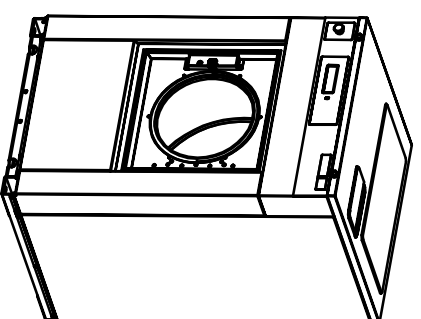
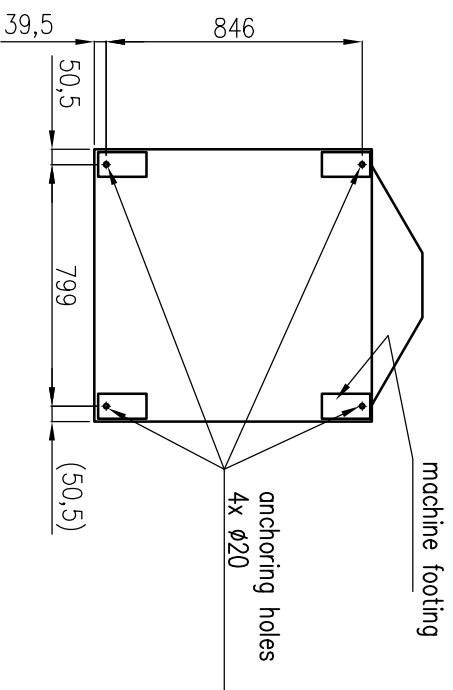


FOUNDATION PLAN VIEW



LEGEND:

1. Elektronic programmer
2. Door handle
3. Name plate
4. Main switch
5. Power supply
6. Cold soft water inlet
7. Cold hard water inlet
8. Warm water inlet
9. Steam inlet
10. Drain outlet
11. Soap hopper
12. Plugs of holes for external dosing hoses
13. Bushing of external dosing pumps
14. Ventilation

The machine must reliably rest in all four corners of the machine. Horizontal concrete floor must conform to static and dynamic load.

Note:
Anchoring bolts are not part of delivery of machine.

WATER CONNECTING:
The washer is equipped with 3/4" valves for watering of cold (soft and hard) and warm water. The all valves have to be connected for right function of washer. The filling valves (3/4") are part of machine. The pressure hoses with seal are part of delivery. Stop valves (3/4") have to be on supply line.

WATER DRAIN CONNECTION:

The washer is equipped with drain pipe of 75mm diameter without pump. These must be connected to the waste sump or central waste drain. For these purposes you can use rubber elbow, which is a part of delivery.
Put the stench trap in drain pipe.
The maximum temperature of waste water from washer is 90°C (for programm No.1 – hot washing).
Quantity of draining water – 130 l/min.

TECHNICAL SPECIFICATION

Capacity: load ratio 1:10	22 kg / 50 lbs
Inner drum dimension: diameter depth	750 mm / 29.5" 498 mm / 19.6"
Drum volume	220 dm ³ / 58 gal
Drum revolutions: wash high extraction	42 ot/min / 42 rpm 915 ot/min / 915 rpm
G-factor:	max. 350
Machine dimensions (max.): width depth height	900 mm / 35.43" 1115 mm / 43.69" 1435 mm / 56.49"
Weight netto brutto	650 kg / 1433 lb 700 kg / 1544 lb
Machine electrical execution:	E: 3x380-415V+N 50Hz S: 1x220-240V 50Hz (can be connected to 3x380-415V 50Hz)
Rated motor power: Rated heating power input (E version): Rated input power of the machine	3 kW 18 kW E: 21.1 kW S: 3.1 kW
Power supply protection: with electrical heating: without heating:	18kW/3AC 400V/32A 1AC 230V/20A
Motor overloading protection:	frequency converter protection
Conductors section:	E: 5x6 mm ² Cu S: 3x2,5 mm ² Cu
Water connections: water pressure water connection drain connection	0.3÷0.6 MPa / 44÷87 psi 3x 3/4" external diameter Ø76 mm
Version with steam heating (S): steam connection steam pressure Steam consumption (P1 "Hot wash" 90°C): maximum steam consumption:	1/2" 0.3÷0.8 MPa / 44÷116 psi 14,6 kg/hod / 33 lb/hour 0.028 kg/sec / 0.062 lb/sec
Connections to liquid detergents: Max. static load (with textile and water) Max. dynamic load (intermittent vibrations) Frequency of dynamic load	5 8080 N 6850±1626 N 15 Hz

primus	FS23	Datum: 01/2008		No. 01-141-2	
		Autor: RJ		Index/datum D/11.2010	
WASHER EXTRACTOR					