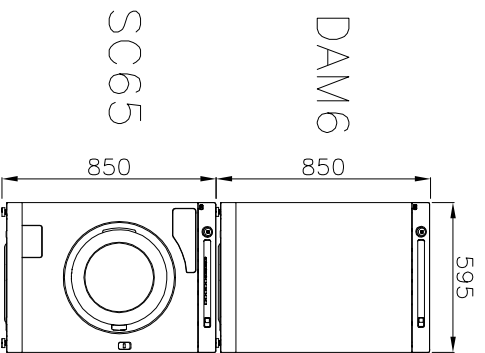
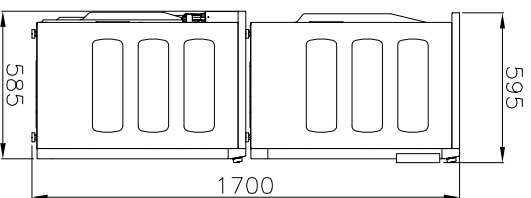


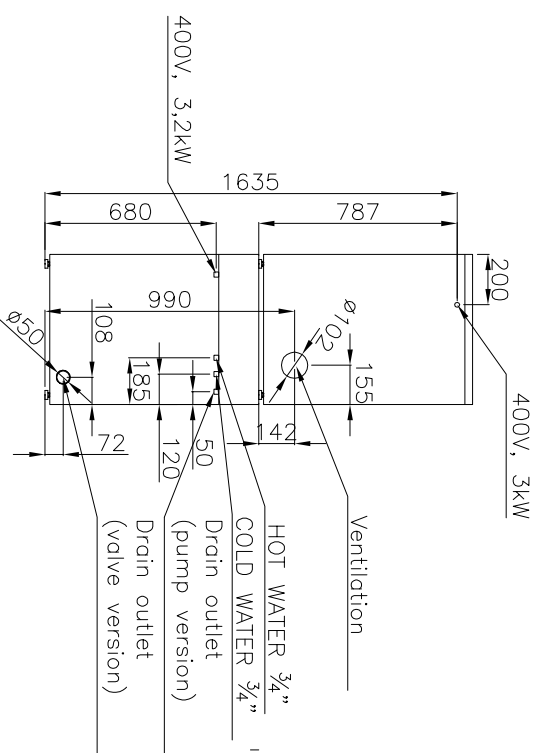
FRONT VIEW



LEFT SIDE VIEW



REAR VIEW



Type	Washer SC 65
Drum capacity	60l
Weight	73kg
Total input	3.2kW
Voltage system	3x400/1x230V
Fuse protection	16/10A
Type	Dryer DAM6
Drum capacity	111l
Drying capacity	6.5kg
Weight	39kg
Total input	3 kW
Voltage system	3x400/1x230V
Fuse protection	16/10A
Rated air flow	245 m ³ /h

primus	SC65	Date:	11.11.10	No.	01-150-1
	DAM6	Author:		Index/date	
WASHING MACHINE					
TUMBLE DRYER					