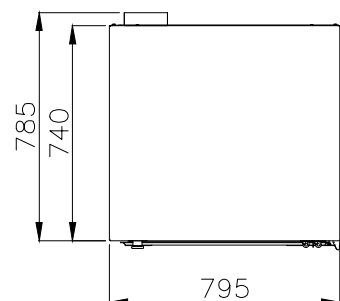


LEGEND

1. Electronic control
2. Control panel lock
3. Emergency stop button
4. Door
5. Gas inlet
6. -
7. Main switch
8. Main power supply
9. Exhaust duct
10. Suction
11. Hot air outlet
12. Earthing connection
13. Lint screen cover
14. Lint screen



GAS CONNECTION:

Gas installation have to conform to local standards and rules.
 Install upstream of each dryer a manually operated gas shut-off valve on an easily accessible place. Install a dirt and water vapour pipe trap per each dryer gas supply.
 Connect machine supply screwed-fitting and gas shut-off valve through the use of flexible gas hose.
 Gas hoses and gas shut-off valves aren't part of machine delivery.
 Install pressure gauge between pressure reduction valve and manually operated gas shut-off valve because of gas pressure check.

EXHAUST SYSTEM:

The dryer produces hot humid air (maximum temp. 70°C), combustible lint and toxic gas. To reduce a risk of fire and health problems the dryer must be exhausted to the outdoors by means of exhaust duct connected to exhaust piping.
 The design of the flue system shall be such that any a condensate formed when operating the appliance from cold shall either be retained and subsequently re-evaporated or discharged.
 If possible, do not install dryers and gas fired hot water heaters or the other gravity vented appliances in the same room.
 Use exhaust ducts made of sheet metal or other noncombustible material.
 The industrial dryer may be located only in ventilated space.
 The dryer requires an action related to air which replaced the air exhausted from the dryer.
 Opening(s) for air supply from outside of the building should be as close to the dryer(s) as possible.
 Aerating opening(s) for the make-up air supply required per each individual dryer is 0,06 m².

MACHINE TYPE	T9
MACHINE DIMENSIONS	
Width-maximum	795 mm
Depth	815 mm
Height - maximum	1460 mm
Drum - diametr	760 mm
- depth	420 mm
- capacity	190 l
Net weight	170 kg
Air outlet	Ø150 mm
ELECTRICAL DATA	
Gas heating output	12,5 kW
Gas inlet	G3/4"
Gas pressure	G20-20 mbar
	G30-31 30mbar
Drive power-reverse model	0,18 kW
	- fan power
Non reverse model-drive power	0,55 kW
Voltage system	3+NPE 400 V, 50 Hz
Amps	10 A
Conductor section (mm ² Cu)	5x1,5
Execution of internal protection	IP 43
Surface sound pressure level Lpf(A)	55,2 dB (A)

Type	Exhaust duct diametr [mm]	Optimal air flow quantity [m3/hod]	Equivalent resistance of exhaust duct [Pa]
T 9	150	350	125

T9 G

TUMBLE DRYER

Date:	06/2006	No.	06-113-2.3
Author:	RJ	Index/date	A/10_2010